

LED HUY S

COMFORT DUURZAAM ENERGIEZUINIG

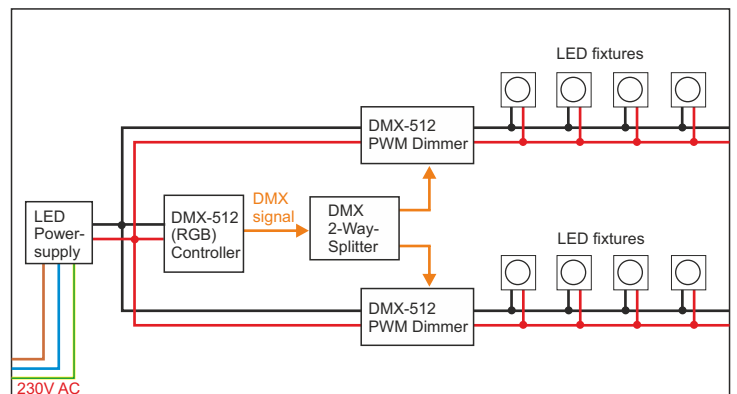
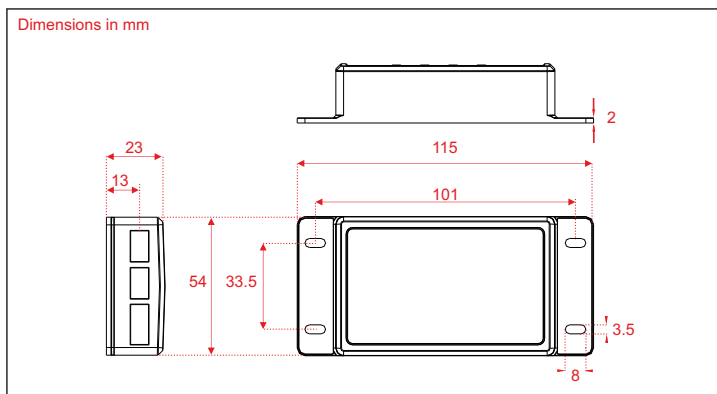
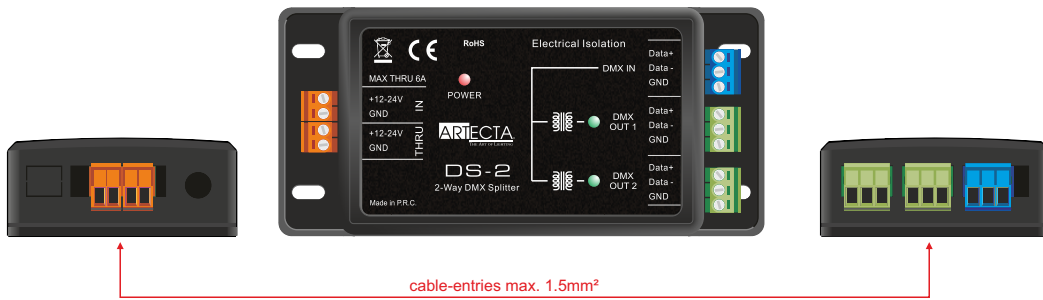
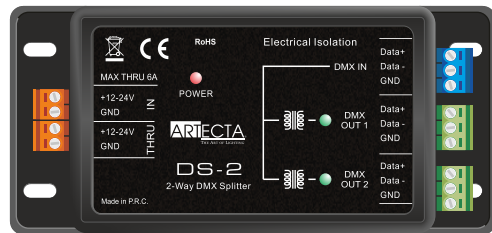
MX-flex 2-Way DMX-Splitter

DMX Splitter with 1x input and 2x output
Absolute electric isolation between input and output
and electric isolation between output and output.

Every DMX output features a independent driver, data & data-indicator.
DMX which is incorporated allowing to isolate from the malfunction caused by DMX input

Technical specifications:

Power input: 12-24V DC
Power thru: 6A max.
Power input/thru: 2-pin terminal
Data in: 3-pin terminal
Data out: 3-pin terminal
Housing: Poly Carbonate
Control: DMX-512 (1990)
Operating Temp: 0° to +40°
Storage Temp: -20°C to +70°C



IP20
INDOOR RATED

Accessories

A

**A9900031 PSU-24
24V Wallbox-Powersupply**
 Power input: AC 100-240V 50/60Hz
 Power output: DC 24V / 0.4A
 Dimensions (DxH): Ø53 x 29.3 mm
 IP Rating: IP20
 Operating Temp.: -10°C to +40°C
 Storage Temp.: -20°C to +70°C

A9915062 ART-8D Black DMX Light controller

(without using the built-in Dimmerpack)

- Included Infrared remote controller
- LED slide indicator to display the current output
- Two function menus
- Record and play back up to 8 dimming scenes
- Set fade time for Power on/off
- Set switch OFF with fade time 0 to 8 seconds
- Assign key tone ON/OFF
- Included Infrared remote controller
- Function memory and power failure protect
- Link function (more ART-8 can be linked)

Techn. Specifications:

Power Supply: DC 12-24V
 Housing: Polycarbonate grey color
 Operation temperature: 0°C to 40°C



Frontside ART-8D



230V AC

+12/24V
POWER-IN
 connect to
 GND & V+

24V DC



Backside ART-8D

Link-out
 connect to
 Link-in
 at next
 ART-8D
 GND
 DMX-
 DMX+

DMX-line
 connect to
DMX-OUT
 GND
 DMX-
 DMX+

A99 2-Way DMX-Splitter

DMX distributor with 1x input and 2x output
 Absolute electric isolation between input and output
 and electric isolation between output and output.
 Every DMX output features a independant driver,
 data & data-indicator.

DMX switch is incorporated allowing to isolate
 from the malfunction caused by DMX input

Technical specifications:

Power input: 12-24V DC
 Power thru: 6A max.
 Power input/thru: 2-pin terminal
 Data in: 3-pin terminal
 Data out: 3-pin terminal
 Housing: PolyCarbonate
 Control: DMX-512 (1990)
 Operating Temp: 0° to +40°

12-24V DC



12V/24 DC LED powersupply

12/24VDC LED powersupply

12/24VDC LED powersupply

230V AC

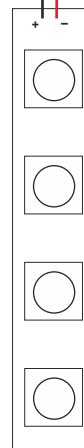
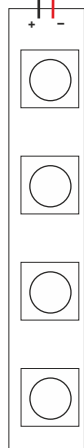
230V AC

**A9915016
1-Channel
LED Dimmer**

**A9915016
1-Channel
LED Dimmer**

connected
LED-strip

connected
LED-strip



B

A9900031 PSU-24
24V Wallbox-Powersupply
 Power input: AC 100-240V 50/60Hz
 Power output: DC 24V / 0.4A
 Dimensions (DxH): Ø53 x 29.3 mm
 IP Rating: IP20
 Operating Temp.: -10°C to +40°C
 Storage Temp.: -20°C to +70°C

A9915060 DLC-4-Black
LED RGB controller
with DMX 512 output
& built-in PWM dimmerpack

- Max. PWM output 6A (RGB output 3X 2A)
- LED indicator to display the current output
 - Four function menus
 - record and play back up to 4 scenes/colors
 - set fadetime for Power on/off
 - set color exchange in the range of 0 to 4s
 - assign key tone ON/OFF
 - select input voltage in DC12-24V according to the output loading voltage
 - Function memory and power failure protect

Techn. Specifications:
 Power Supply: DC 12-24V
 Max Load: 2A per channel, max. 6A total
 Housing: Polycarbonate
 DMX out: 4-pin green terminal
 Power in & PWM out: 6-pin terminal
 Operation temperature: 0°C to 40°C
 Storage temperature: -20°C to +70°C

A99 2-Way DMX-Splitter
 DMX distributor with 1x input and 2x output
 Absolute electric isolation between input and output and electric isolation between output and output. Every DMX output features a independant driver, data & data-indicator.
 DMX switch is incorporated allowing to isolate from the malfunction caused by DMX input

Technical specifications:
 Power input: 12-24V DC
 Power thru: 6A max.
 Power input/thru: 2-pin terminal
 Data in: 3-pin terminal
 Data out: 3-pin terminal
 Housing: PolyCarbonate
 Control: DMX-512 (1990)
 Operating Temp: 0° to +40°

